



Ferrari Fan Technology (UK) Limited

PO Box 265, Herne Bay

Kent CT6 9AZ, UK

Tel: +44 (0)845 634 2174 Fax: +44 (0)845 534 2175

www.ferrarifanotechnologyuk.co.uk

email: sales@ferrarifanotechnologyuk.co.uk

Smoke Extract Fans

**Axial fans for large air volumes,
low pressure requirements**



- EN1201-3 certified rating 'F300' 300⁰C for 2 hours and 'F400' 400⁰C for 2 hours
- Dual purpose, for normal air ventilation and smoke extract in case of fire
- 350 to 1400mm diameter impeller sizes
- Single and 2 speed motor options
- Direct drive for low maintenance operation
- High quality manufacture, trouble free running
- Available with range of accessories

Ferrari Fan Technology (UK) Limited
PO Box 265, Herne Bay, Kent, CT6 9AZ
Tel: 0845 634 2174 Fax: 0845 634 2175

www.ferrarifanotechnologyuk.co.uk email sales@ferrarifanotechnologyuk.co.uk

Smoke Extract fans - axial

Fan size/kW motor combinations

FAN SIZE	2 POLE	4 POLE	6 POLE	8 POLE	2 speed 2/4 POLE	2 speed 4/6 POLE	2 speed 4/8 POLE	2 speed 6/12 POLE
EFF350	0.75-1.1				0.75-1.1			
EFF400	0.75-1.5				0.75-1.5			
EFF450	1.5-3.0	0.55			1.5-3.0	0.55		
EFF500	2.2-4.0	0.55			2.2-4.0	0.55	0.55	
EFF560	4.0-7.5	0.55-1.1			4.0-7.5	0.55-1.1	0.55-1.1	
EFF630		1.1-2.2				1.1-2.2	1.1-2.2	
EFF710		2.2-4.0	0.75-1.5			2.2-3.0	2.2-4.0	0.75-1.5
EFF800		3.0-5.5	1.1-2.2			3.0-5.5	3.0-5.5	1.1-2.2
EFF900		4.0-15.0	1.1-4.0			4.0-15.0	4.0-15.0	1.1-4.0
EFF1000		5.5-18.5	1.5-5.5	2.2-3.0		5.5-18.5	5.5-18.5	1.5-7.5
EFF1120		18.5-30.0	5.5-11.0	2.2-4.0		18.5-30.0	18.5-30.0	7.5-11.0
EFF1250			7.5-15.0	3.0-5.5				7.5-15.0
EFF1400			11.0-15.0	4.0-7.5				11.0-15.0

Fan duty points

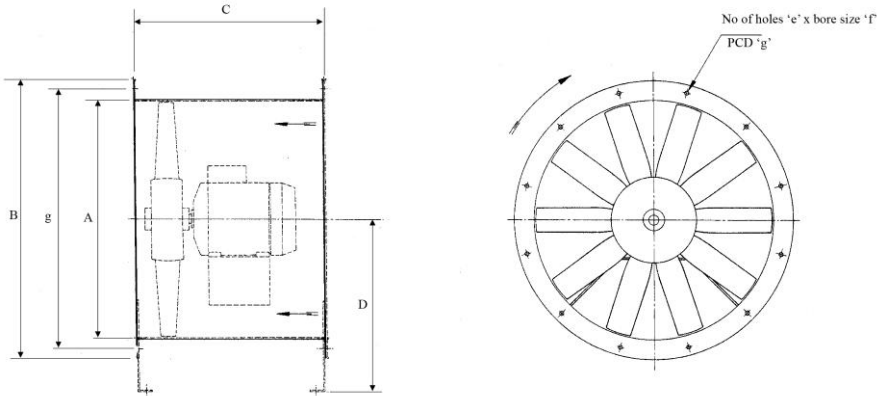
By manufacturing fans with adjustable impeller blades we can provide a wide range of duty point solutions, please contact the office with your requirements and we will advise the best selection for your specific application

Accessories

- Flexible connections
- Inlet cone
- Mounting feet
- Inlet guards
- Anti-vibration mounting feet

Smoke Extract fans - axial

Fan Dimension table



Fan ordering example:-
EFF631/I 4A/A RD 2.2/4

Fans available with airflow direction from motor to impeller only

Item	Model	dimensions in mm						
		A	B	C	D	E	e	f
1	EFF350	355	440	355	265	405	8	10
2	EFF400	400	485	400	300	448	12	10
3	EFF450	450	535	450	335	497	12	10
4	EFF500	500	585	500	355	551	12	10
5	EFF560	560	665	500	400	629	12	10
6	EFF630	630	735	560	450	698	12	10
7	EFF710	710	815	500	500	775	16	12
8	EFF800	800	905	560	560	881	16	12
9	EFF900	900	1005	710	600	958	16	12
10	EFF1000	1000	1107	800	670	1067	24	12
11	EFF1120	1120	1248	900	750	1200	24	12
12	EFF1250	1250	1380	1000	850	1337	24	12
13	EFF1400	1400	1540	1000	950	1491	32	12

Please be aware dimensions are provided for guidance only, the factory reserve the right to amend dimensions without notice