



Ferrari Fan Technology (UK) Limited

PO Box 265, Herne Bay

Kent CT6 9AZ, UK

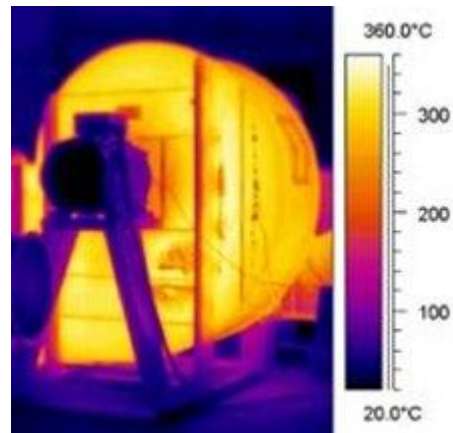
Tel: +44 (0)845 634 2174 Fax: +44 (0)845 534 2175

www.ferrarifanotechnologyuk.co.uk

email: sales@ferrarifanotechnologyuk.co.uk

Smoke Extract Fans

Direct Drive Centrifugal fans for large air volumes and medium to high pressure requirements



- EN1201-3 certified rating 'F400' 400⁰C for 2 hours
- Dual purpose, for normal air ventilation and smoke extract in case of fire
- 315 to 1400mm diameter impeller sizes
- Available with range of accessories
- High quality manufacture, trouble free running
- Speed controllable with inverter drive

Ferrari Fan Technology (UK) Limited

PO Box 265, Herne Bay, Kent, CT6 9AZ

Tel: 0845 634 2174 Fax: 0845 634 2175

www.ferrarifanotechnologyuk.co.uk email sales@ferrarifanotechnologyuk.co.uk

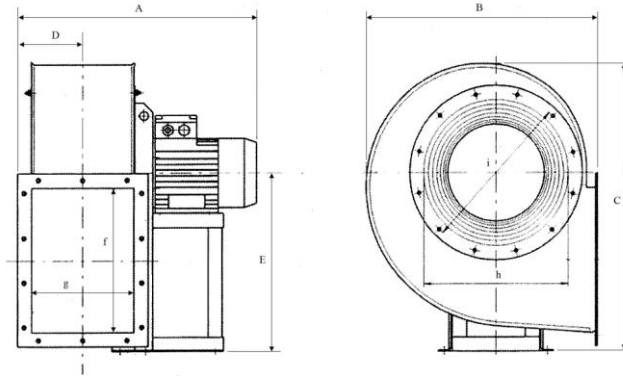
Smoke Extract fans - centrifugal

Air flow capacity and pressure table

Model	Motor size kW/poles	fan speed rpm	volume flow rate (m ³ /s) against pressure (Pa)								Noise dB@1.5m	
			0.95	1.5	3	5.3	7.5	10.6	15	30		
FR311/2N4A3	2.2/2	2830	119	70								78
FR351/2N4A3	3.0/2	2880	183	154								82
FR402/2N4A3	4.0/2	2890		206								84
FR401/2N4A3	5.0/2	2930		220	120							85
FR452/2N4A3	7.5/2	2910		276	228							86
FR451/2N4A3	11.0/2	2945		300	240							88
FR451/4N4A3	1.1/4	1420	66	54								67
FR502/4N4A3	1.5/4	1400		75								66
FR501/4N4A3	2.2/4	1420		83	41							71
FR562/4N4A3	3.0/4	1410		101	78							71
FR561/4N4A3	4.0/4	1430		113	88							74
FR632/4N4A3	5.5/4	1460			124	48						75
FR631/4N4A3	7.5/4	1460			146	104						78
FR712/4N4A3	11.0/4	1460			176	159	87					79
FR711/4N4A3	15.0/4	1450			198	173	131					82
FR802/4N4A3	18.5/4	1470				212	192	108				82
FR8014/4N4A3	22.0/4	1470				224	204	162				85
FR902/4N4A3	37.0/4	1465					287	265	180			85
FR901/4N4A3	45.0/4	1470					316	290	224			88
FR562/6N4A3	0.75/6	900	44	39								59
FR561/6N4A3	1.1/6	910	46	43								62
FR632/6N4A3	1.5/6	930		57	39							65
FR631/6N4A3	2.2/6	920		62	48							68
FR712/6N4A3	3.0/6	930			68							69
FR711/6N4A3	4.0/6	930			75	48						72
FR802/6N4A3	5.5/6	940			94	79						72
FR801/6N4A3	7.5/6	965			104	88	63					75
FR902/6N4A3	11.0/6	970				116	101					75
FR901/6N4A3	15.0/6	960				127	112	84				78
FR1002/6N4A3	18.5/6	970				150	144	124				79
FR1001/6N4A3	22.0/6	970					156	137	95			82
FR1122/6N4A3	30.0/6	960					190	184	157			82
FR1121/6N4A3	37.0/6	970					216	203	177			85
FR1252/6N4A3	55.0/6	980						242	229			85
FR1251/6N4A3	75.0/6	985						270	253	154		88
FR1402/6N4A3	90.0/6	980							306	250		89
FR1401/6N4A3	110.0/6	985							354	276		92

Smoke Extract fans - centrifugal

Fan Dimension table



Fan ordering example:-
FR401/N12 RD270

Item	Model	dimensions in mm									Weight kg
		A	B	C	D	E	f	g	h	i	
1	FR31X/XN4A3	550	525	660	116	400	322	229	320	366	51
2	FR35X/XN4A3	610	596	745	129	450	361	256	360	405	79
3	FR40X/XN4A3	735	660	830	146	500	404	288	405	448	106
4	FR45X/XN4A3	860	745	930	162	560	453	322	455	497	158
5	FR50X/XN4A3	900	830	1010	182	600	507	361	505	551	195
6	FR56X/XN4A3	810	925	1125	207	670	569	404	566	629	135
7	FR63X/XN4A3	915	1040	1265	232	750	638	453	636	698	197
8	FR71X/XN4A3	1065	1165	1415	258	850	715	507	716	775	324
9	FR80X/XN4A3	1230	1300	1580	290	950	801	569	806	861	416
10	FR90X/XN4A3	1390	1460	1765	321	1060	898	638	906	958	648
11	FR100X/XN4A3	1700	1645	1975	361	1180	1007	715	1007	1067	940
12	FR112X/XN4A3	1840	1855	2215	402	1320	1130	801	1128	1200	1210
13	FR125X/XN4A3	1895	2080	2505	451	1500	1267	898	1250	1337	1594
14	FR140X/XN4A3	2005	2315	2815	506	1700	1421	1007	1420	1491	2092

Please be aware dimensions are provided for guidance only, the factory reserve the right to amend dimensions without notice

Fan handing arrangements (viewed from drive side)

